

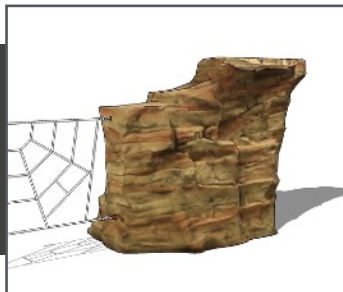


A realistic rock climber with varying degrees of climbing difficulties. Constructed of durable Glass Fiber Reinforced Concrete (GFRC). The unique design allows for 360 degrees of climbing, integrated handholds, realistic texture, fossil reliefs and a one of a kind ADA access for users of all abilities. Choose a variety of designs from our Rope Links (8000001, 8000200 thru 8000205) to attach to the Strato Rock Climber w/rope tabs.

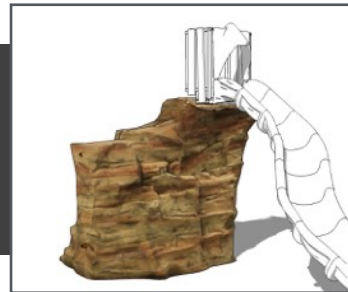


**Strato Rock Climber
1000001**

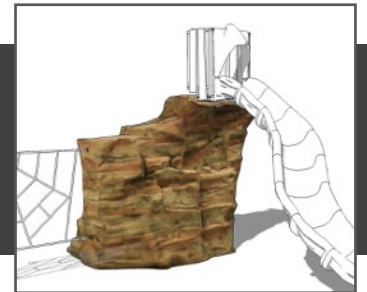
L: 10'-3" x W: 7'-4" x H: 8'-0"
5,200 LBS



**Strato Rock Climber
w/Rope Tabs
1000010**



**Strato Rock Climber
w/Slide Attachment
1000011**



**Strato Rock Climber w/Slide
Attachment and Rope Tabs
1000012**

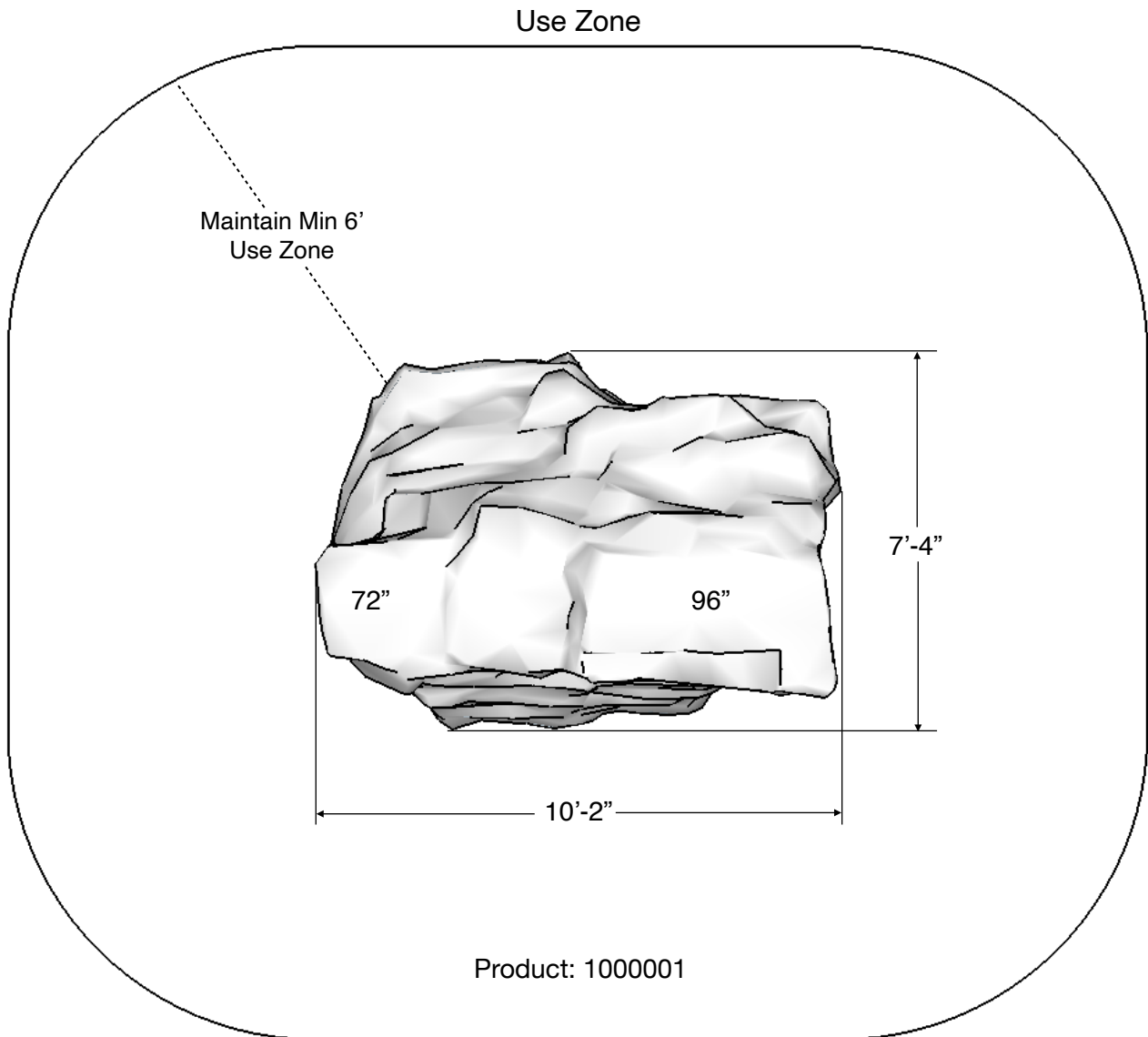
~ Dimensions and weights are approximate ~
~ Heights shown from top of surfacing ~
User Group Age: 5-12

All images and concepts are Copyright © 2016, Cre8Play, LLC-All rights reserved. Cre8Play may change or modify this information as necessary and without notice.

Revised 12/1/2021

5121 Winnetka Ave N • Suite 108
New Hope, MN 55428
612.670.8195
info@cre8play.com
cre8play.com

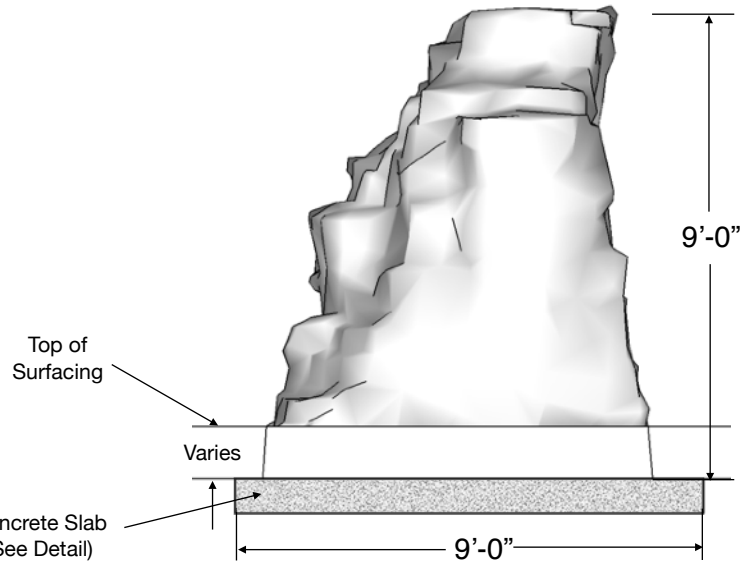
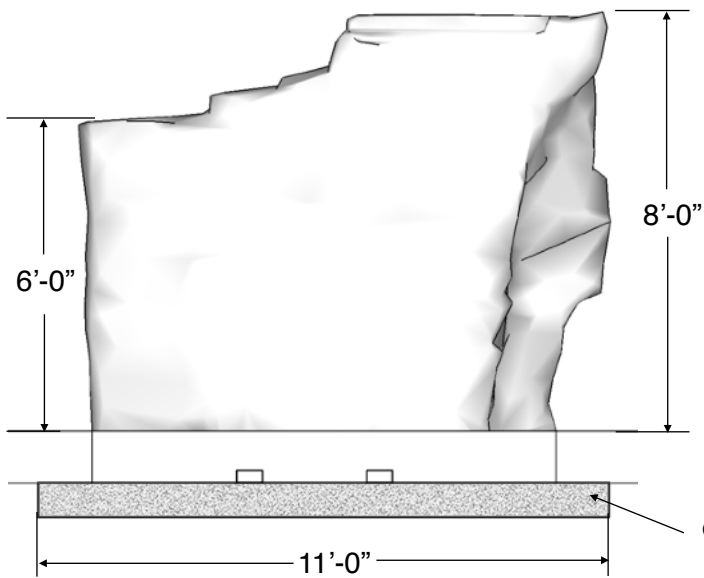
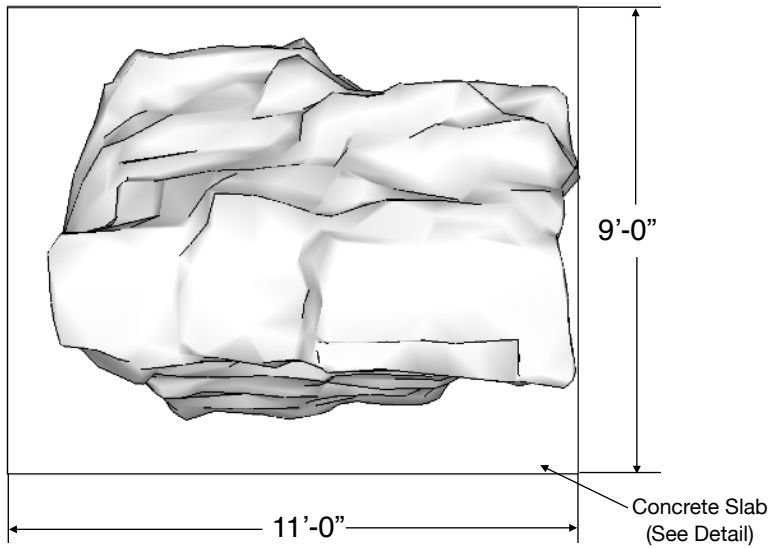
Installation Instructions



Included Items:

Item	Description	Quantity
Strato Rock Climber	Play Equipment	1
Anchor Bolt 5/8" x 6"	Mounting Hardware	4

Installation Instructions



~ All dimensions are approximate ~

User Group Age: 5-12

Revised 12/1/2021

Installation Instructions

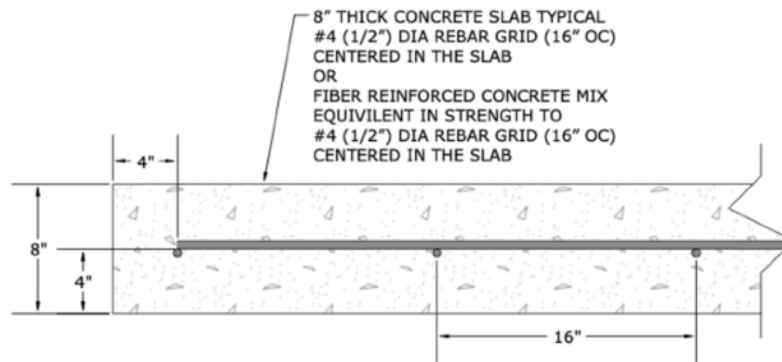
NOTE: Read installation instructions thoroughly before starting installation process.

Step 1: Lay out the area and prepare the site for install. Concrete must be installed over a solid, level base. Check local soil condition and local codes. See product installation instructions for minimum use zone requirements to ensure proper spacing and adequate surfacing area.

Step 2: Pour a concrete base for the Strato Rock Climber. Refer to the typical slab section on this page. The concrete should be flush with the sub-grade surface. Allow time for the concrete to completely cure before continuing.

Step 3: Using an appropriate lull-type forklift or boom, place Strato Rock Climber into final installation location. See the hardware recommendation page for information on anchoring equipment down to your slab. Refer to the surfacing manufacturer for installation of an approved impact attenuating play surface around the Strato Rock Climber with a minimum of 6 feet in every direction.

Note: See separate installation instructions for Rope Link and Strato Slide when installing Strato Rock Climber product numbers 1000010, 1000011 or 1000012.



TYPICAL 8" CONCRETE SLAB DETAIL (NOT TO SCALE)
CHECK LOCAL SOIL CONDITIONS.

NOTES PRIOR TO CONSTRUCTION:

- Use appropriate equipment to lift and move the play equipment.
- Check local codes and requirements prior to digging or installing any equipment.

! WARNING

INSTALLATION OVER A HARD SURFACE SUCH AS CONCRETE, ASPHALT, OR PACKED EARTH MAY RESULT IN SERIOUS INJURY OR DEATH FROM FALLS.

THE REMOVAL OF HELMETS, HOODS, DRAWSTRINGS, AND ACCESSORIES AROUND THE NECK IS RECOMMENDED TO PREVENT ENTANGLEMENT AND STRANGULATION.

PLAY EQUIPMENT AND/OR SURFACING MAY BE HOT.

~ All dimensions are approximate ~

User Group Age: 5-12

Revised 12/1/2021

5121 Winnetka Ave N • Suite 108

New Hope, MN 55428

612.670.8195

info@cre8play.com

cre8play.com

Installation Instructions

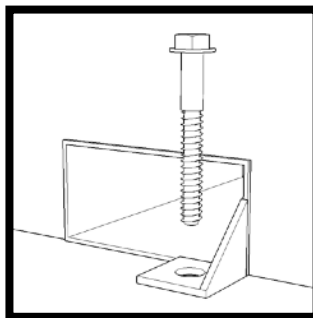
Step 4: Locate your anchor bolts, supplied by Cre8Play. Using the proper standard drill bit size noted in the installation table, drill the concrete to the appropriate hole depth (C).

Step 5: Insert the anchor bolt into the hole and tighten until the bolt is fully seated. Do NOT over tighten the anchor bolts.

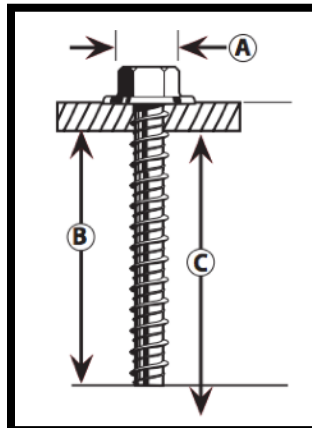
Installation Table

Anchor Bolt Size	ANSI Standard Drill Bit Diameter	Anchor Head (Socket Size) Diameter Ⓐ	Minimum Embedment Ⓑ	Hole Depth Ⓒ
5/8" x 6"	1/2"	13/16"	5 1/2"	6 1/2"

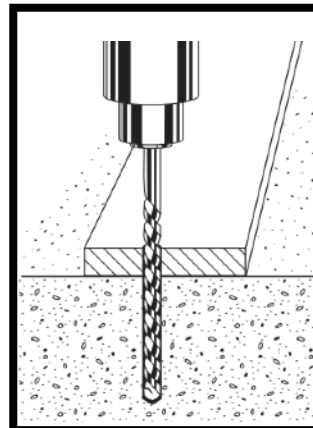
Anchor Bolt (Large Diameter Tapcon) Installation:



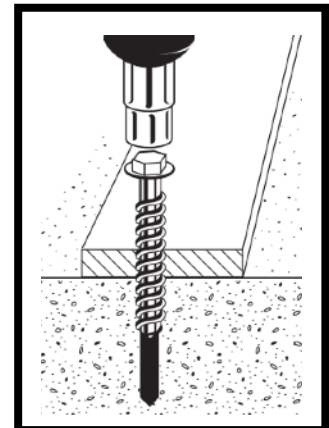
Mounting Detail
(Not to Scale)



Step 1: Drill



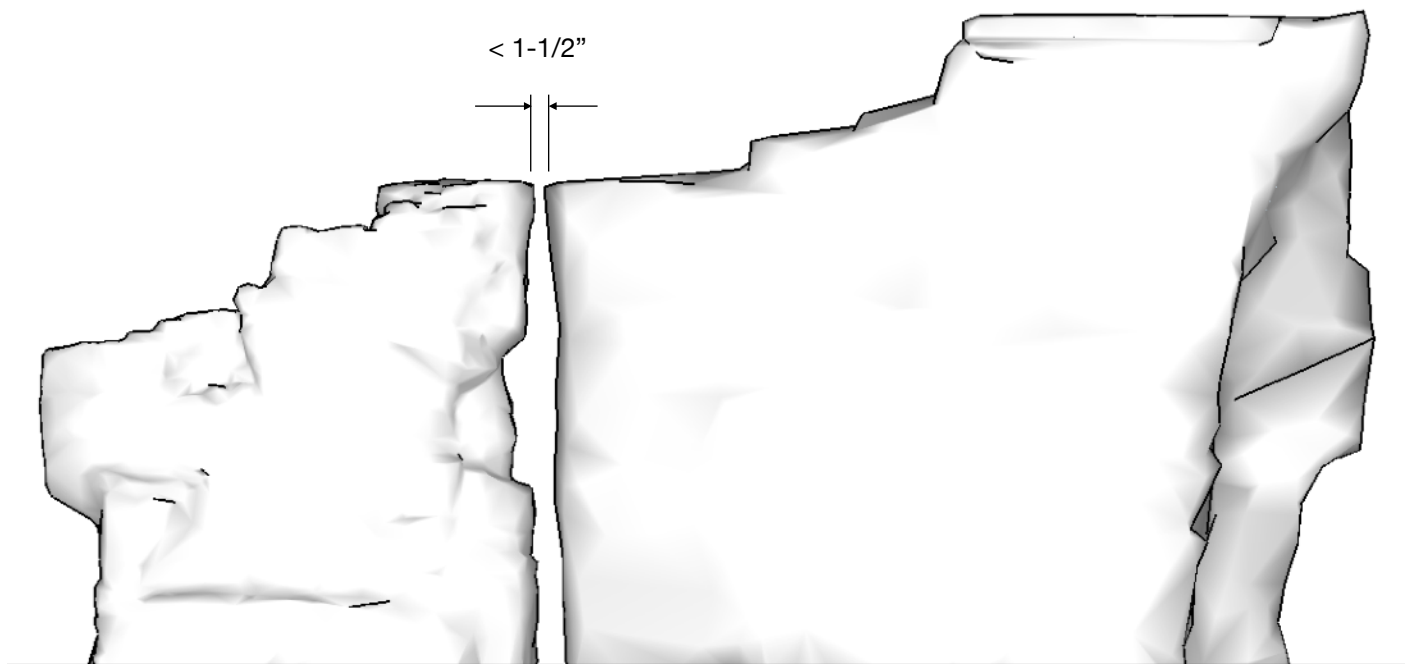
Step 2: Anchor



NOTE: Always wear eye protection appropriate to the task at hand.

Installation Instructions

Configured rock climber to rock climber: When the rocks are configured together, the adjacent top surfaces should be level with each other, +/- 1". The space between the two rocks should not be greater than 1-1/2".



Ledge Rock

Strato Rock

Rock climber to rock climber

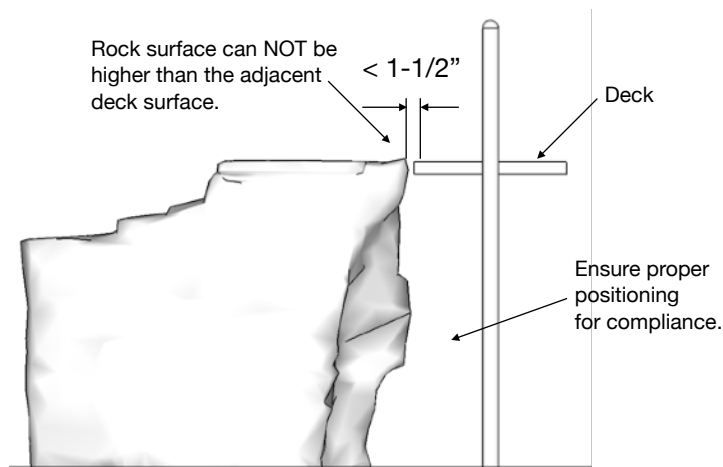
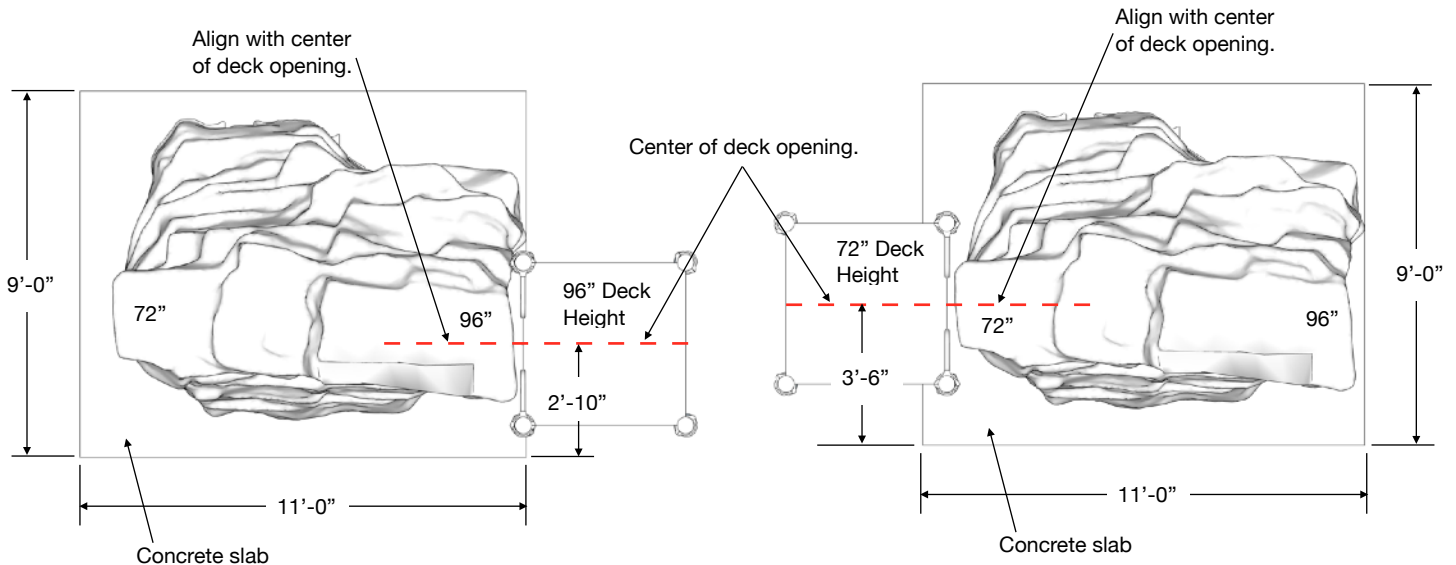
~ All dimensions are approximate ~

User Group Age: 5-12

Revised 12/1/2021

Installation Instructions

Configured rock climber to deck: When using a rock climber as a deck attachment, the rock climber surface adjacent to the deck surface should be flush with the deck surface or less (up to 1"). The adjacent rock surface should NOT be higher than the deck surface. The center of the rock climbing surface is offset from center of the concrete slab. See below images to place the concrete slab in the correct position to the center of the deck opening.



Strato Rock Climber to deck

~ All dimensions are approximate ~

User Group Age: 5-12

Revised 12/1/2021