



Constructed of Glass Fiber Reinforced Concrete (GFRC), the Barrel Crawl is handcrafted and replicates the look of a wooden barrel. Hollow Log and Baseball Bat Crawls are a great accent to any playground.



**Hollow Log Crawl - 4'**  
**1000060**

L: 4'-0" x W: 3'-0" x H: 2'-5"  
1,240 LBS



**Hollow Log Crawl - 6'**  
**1000061**

L: 6'-0" x W: 3'-0" x H: 2'-5"  
1,860 LBS



**Barrel Crawl**  
**1000203**

L: 4'-0" x W: 3'-4" x H: 2'-8"  
1,350 LBS

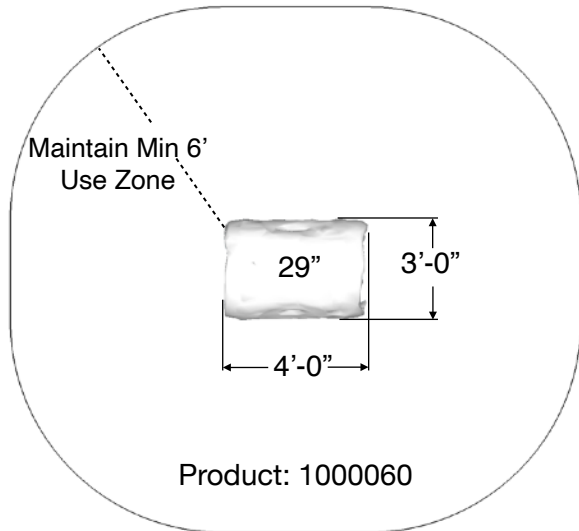


**Baseball Bat Crawl**  
**1000204**

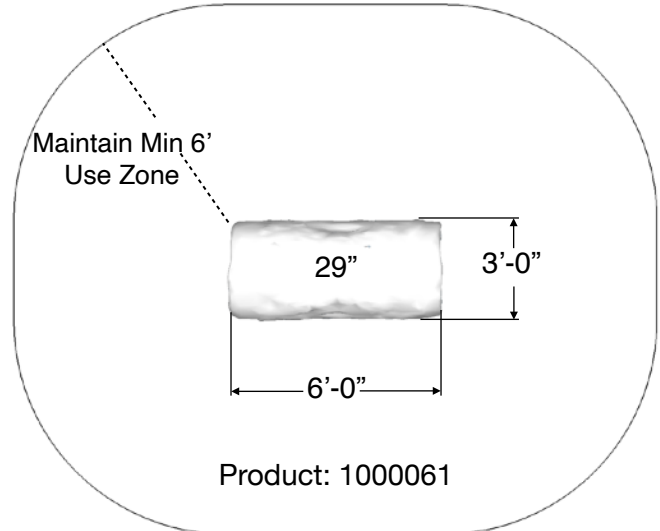
L: 6'-0" x W: 3'-4" x H: 2'-11"  
1,950 LBS

## Installation Instructions

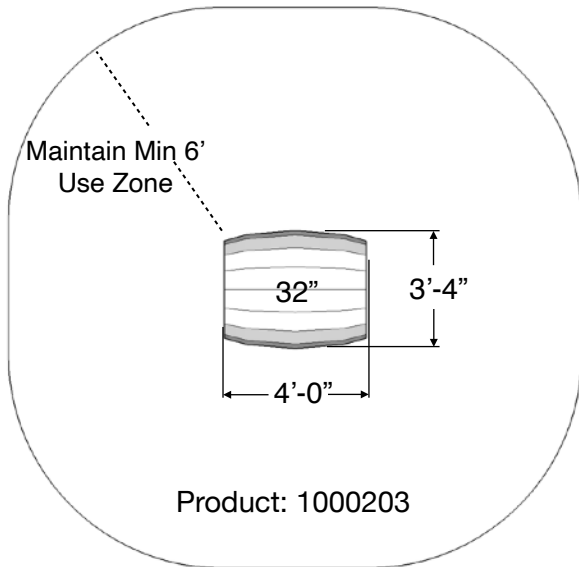
Use Zone



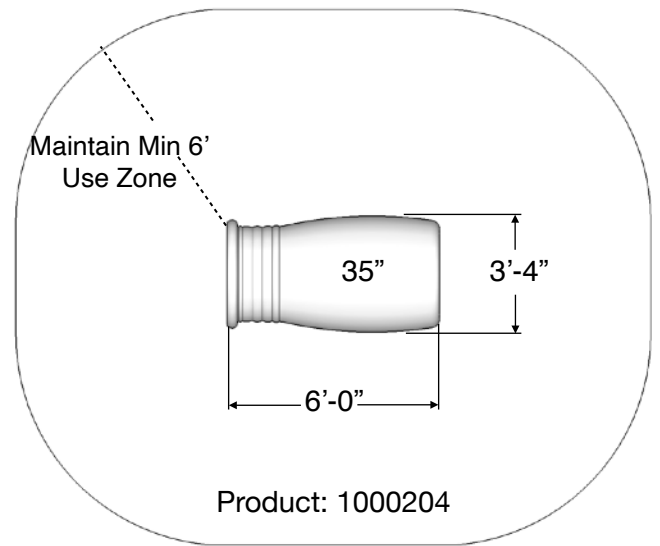
Use Zone



Use Zone



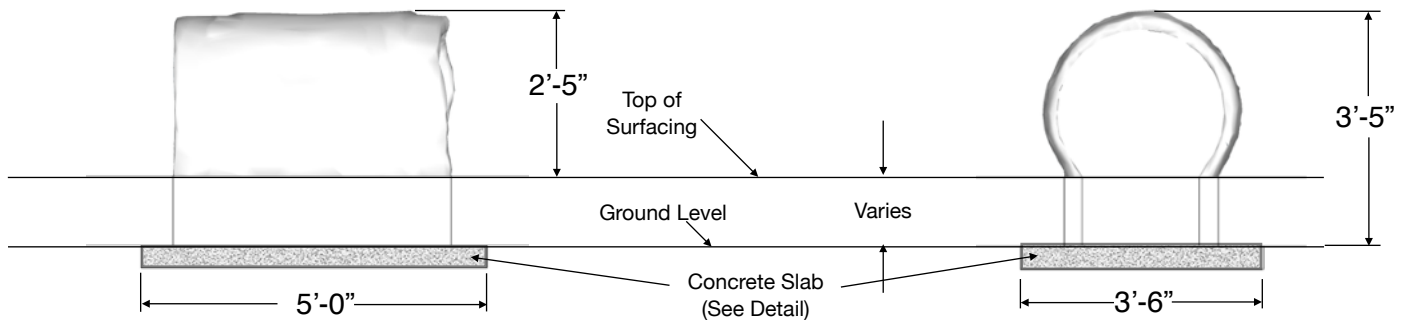
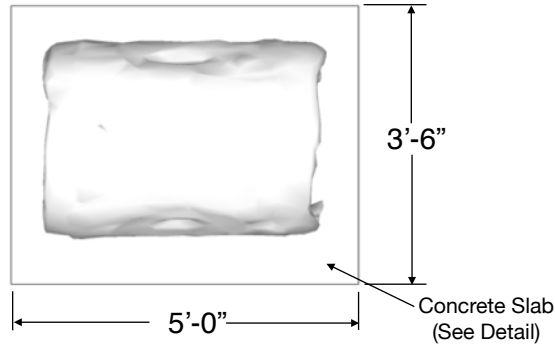
Use Zone



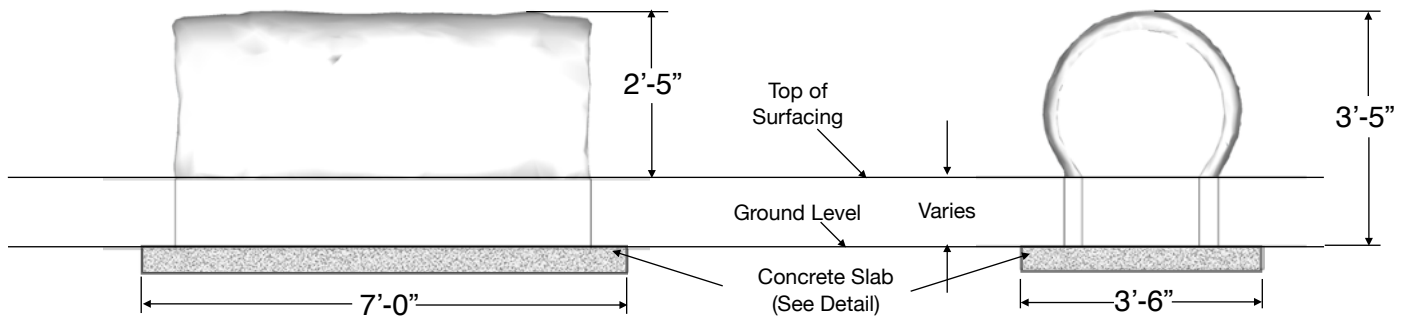
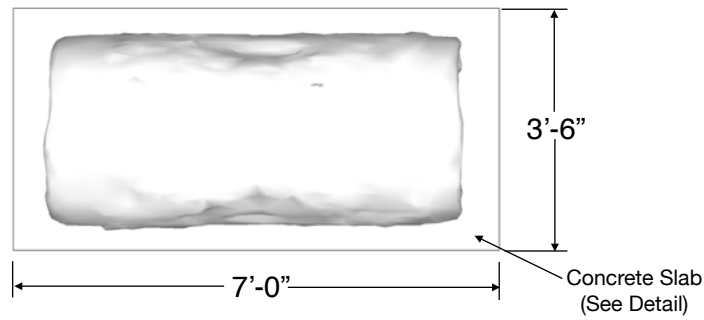
### Included Items:

Item	Description	Quantity
Crawl	Play Equipment	1
Anchor Bolt 1/2" x 3"	Mounting Hardware	4

## Installation Instructions



Product: 1000060



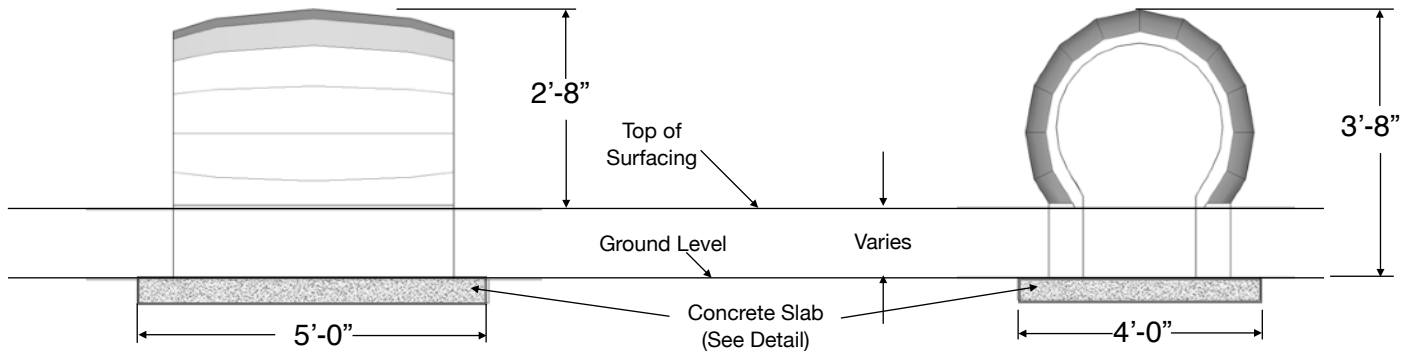
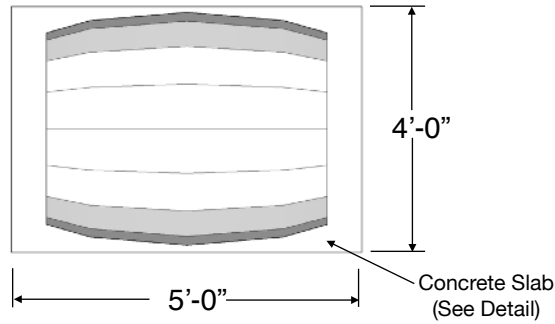
Product: 1000061

~ All dimensions are approximate ~

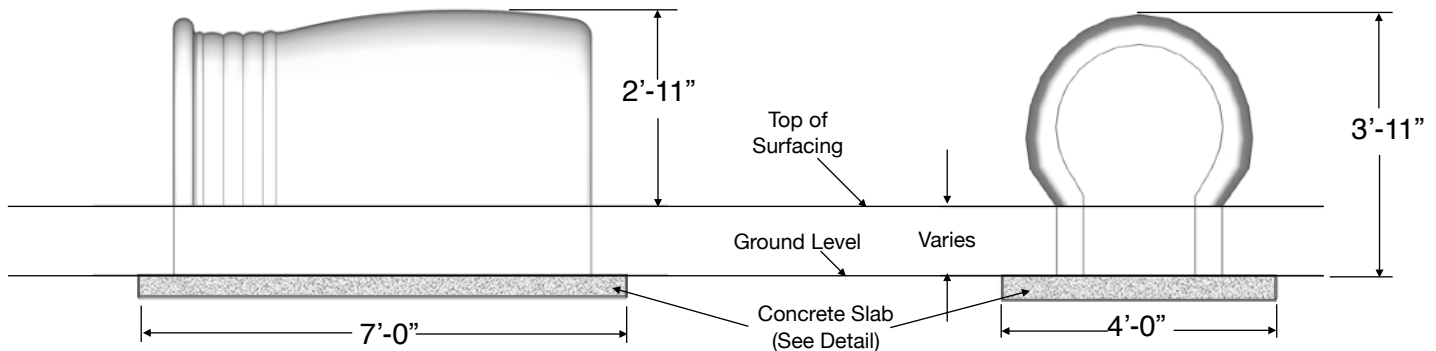
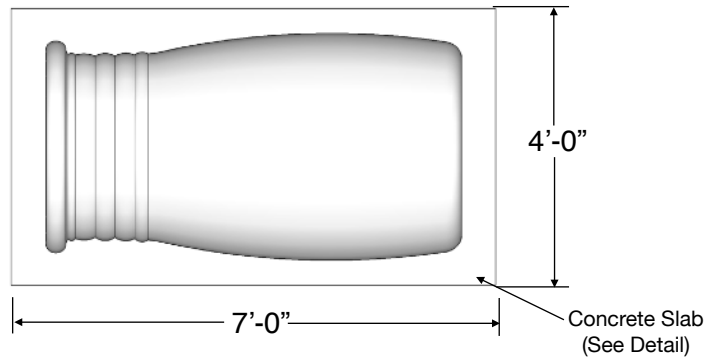
**User Group Age: 2-12**

Last Revised 12/1/2021

## Installation Instructions



Product: 1000203



Product: 1000204

~ All dimensions are approximate ~

**User Group Age: 2-12**

Last Revised 12/1/2021

5121 Winnetka Ave N • Suite 108

New Hope, MN 55428

612.670.8195

info@cre8play.com

cre8play.com



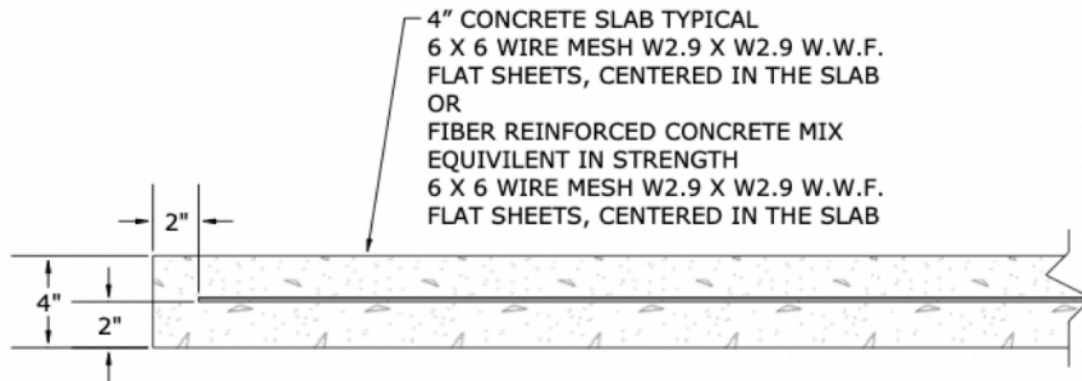
## Installation Instructions

**NOTE:** Read installation instructions thoroughly before starting installation process.

**Step 1:** Lay out the area and prepare the site for install. Concrete must be installed over a solid, level base. Check local soil condition and codes. See installation instructions for minimum use zone requirements to ensure proper spacing and adequate surfacing area.

**Step 2:** Pour a concrete base for the crawl. Refer to the typical slab section on this page. The concrete should be flush with the ground level. Allow time for the concrete to completely cure before continuing.

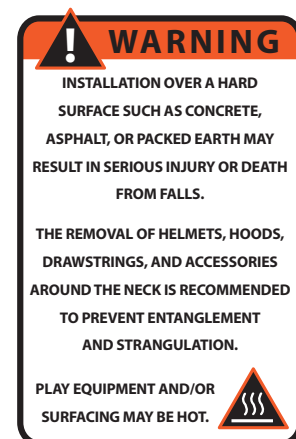
**Step 3:** Using an appropriate lull-type forklift or boom, place crawl into final installation location. See the hardware recommendation page for information on anchoring equipment down to your slab. Refer to the surfacing manufacturer for installation of an approved impact attenuating play surface around the crawl with a minimum of 6 feet in every direction.



**TYPICAL 4" CONCRETE SLAB DETAIL (NOT TO SCALE)**  
CHECK LOCAL SOIL CONDITIONS.

### NOTES PRIOR TO CONSTRUCTION:

- Use appropriate equipment to lift and move the play equipment.
- Check local codes and requirements prior to digging or installing any equipment.



~ All dimensions are approximate ~

**User Group Age: 2-12**

Last Revised 12/1/2021

5121 Winnetka Ave N • Suite 108

New Hope, MN 55428

612.670.8195

info@cre8play.com

cre8play.com

## Installation Instructions

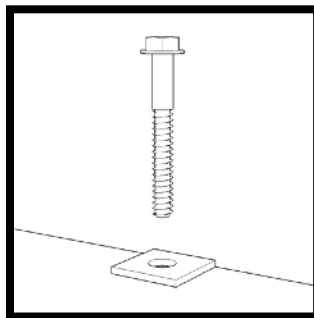
**Step 4:** Locate your anchor bolts, supplied by Cre8Play. Using the proper standard drill bit size noted in the installation table, drill the concrete to the appropriate hole depth (C).

**Step 5:** Insert the anchor bolt into the hole and tighten until the bolt is fully seated. Do NOT over tighten the anchor bolts.

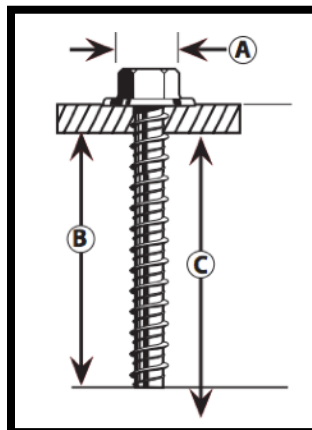
**Installation Table**

Anchor Bolt Size	ANSI Standard Drill Bit Diameter	Anchor Head (Socket Size) Diameter Ⓐ	Minimum Embedment Ⓑ	Hole Depth Ⓒ
1/2" x 3"	7/16"	3/4"	2 1/2"	3 1/2"

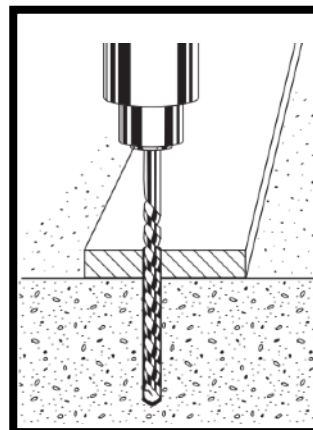
**Anchor Bolt (Large Diameter Tapcon) Installation:**



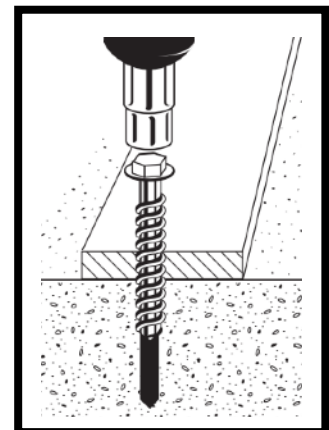
**Mounting Detail**  
(Not to Scale)



**Step 1: Drill**



**Step 2: Anchor**



**NOTE: Always wear eye protection appropriate to the task at hand.**