



Every child loves to swing. So, add motion to your playground with Cre8Play's agrarian themed swing and products. With optional additions this swing is a must with your Farm theme. Don't forget to explore Cre8Play's entire selection of nature and sports themed swings.

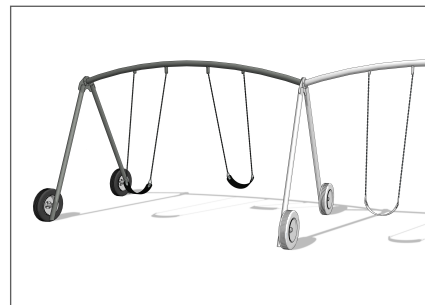


Irrigation Swing

1000314

L: 14'-2" x W: 8'-0" x H: 8'-5"

545 LBS

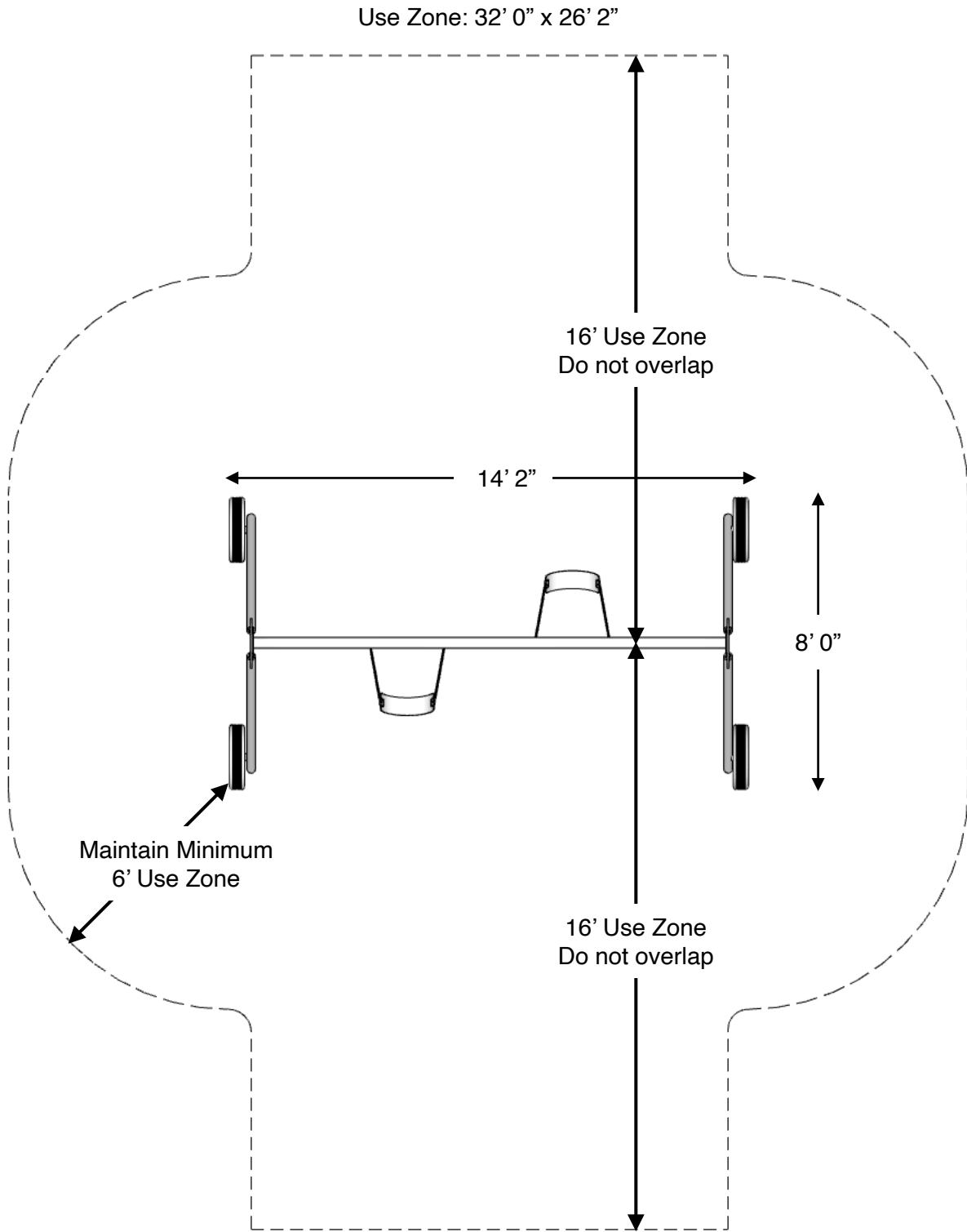


Add-A-Bay, Irrigation Swing

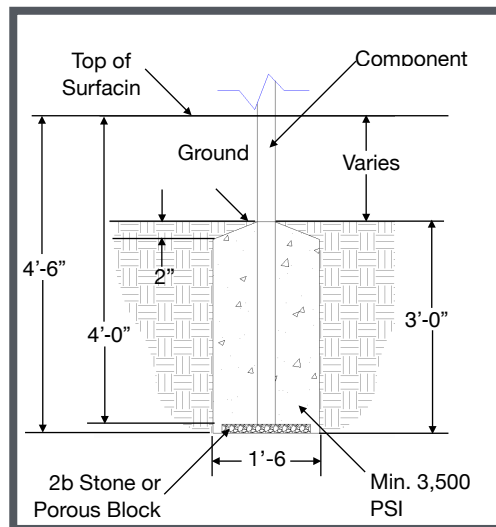
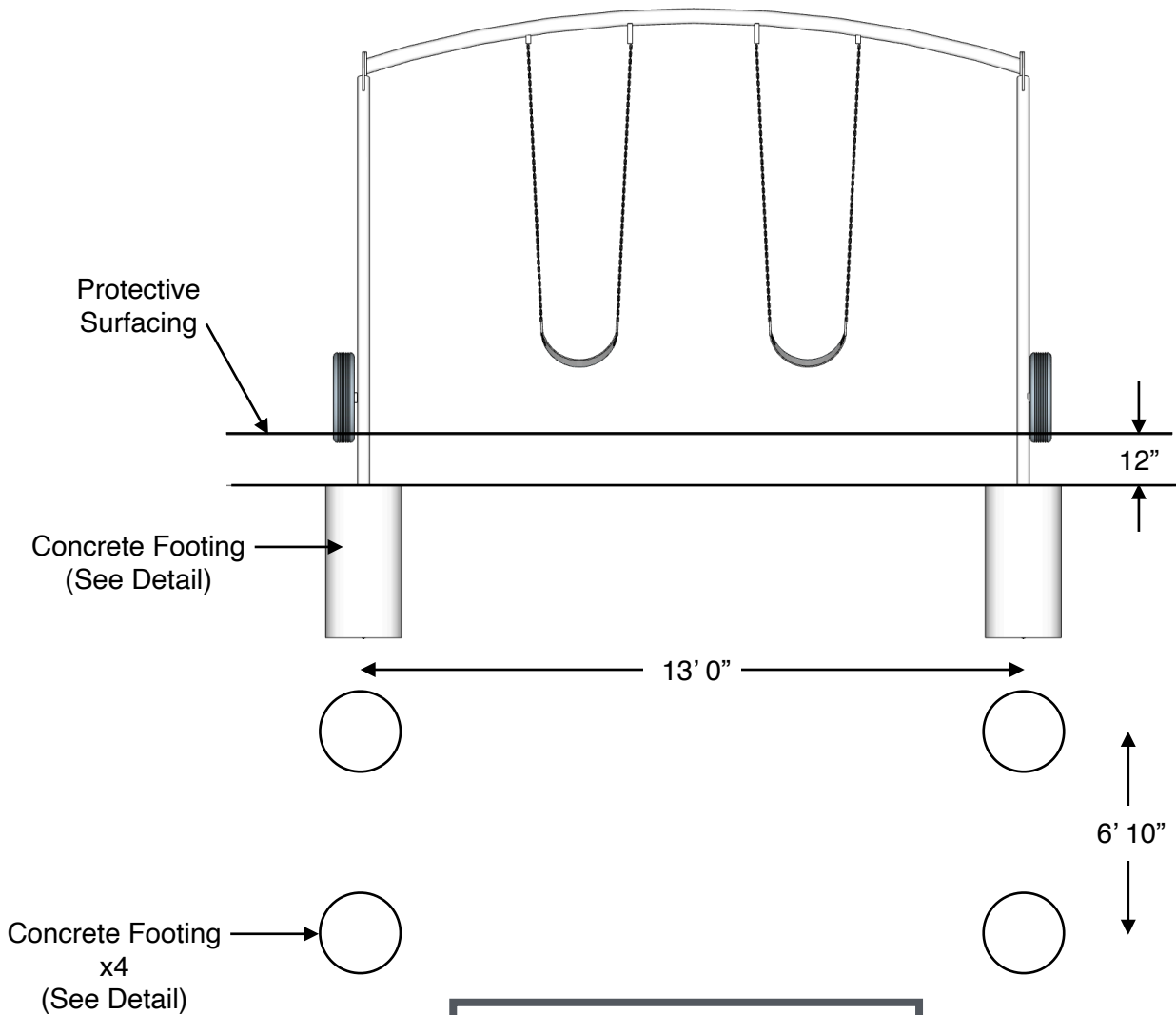
1000315

L: 13'-7" x W: 8'-0" x H: 8'-5"

335 LBS



Product: 1000314
 Irrigation Swing



Typical Component Footing Detail
Check local soil conditions. (Not to Scale)

NOTE: Read installation instructions thoroughly before starting installation process.

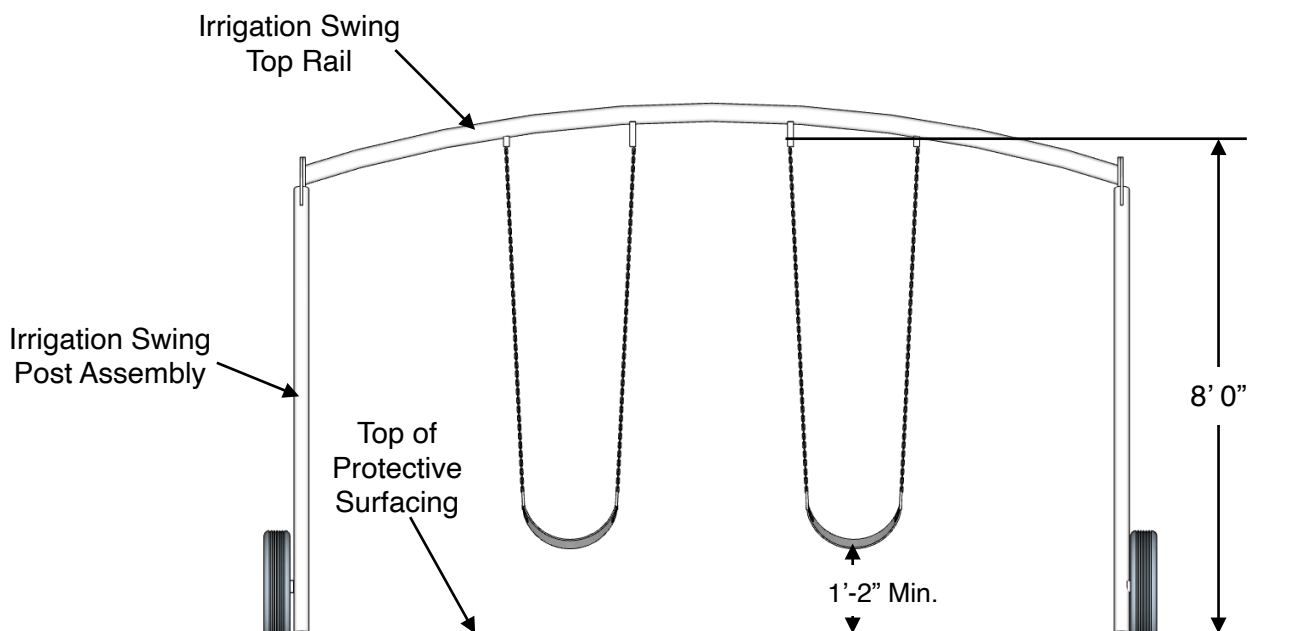
Step 1: Lay out the area and prepare the site for install. Concrete must be installed over a solid, level base. Check local soil condition and codes. See product installation instructions for minimum use zone requirements to ensure proper spacing and adequate surfacing area. Excavate appropriate footer size for your installation.

Step 2: Refer to the typical in-ground footing detail on excavating a hole for the Component.

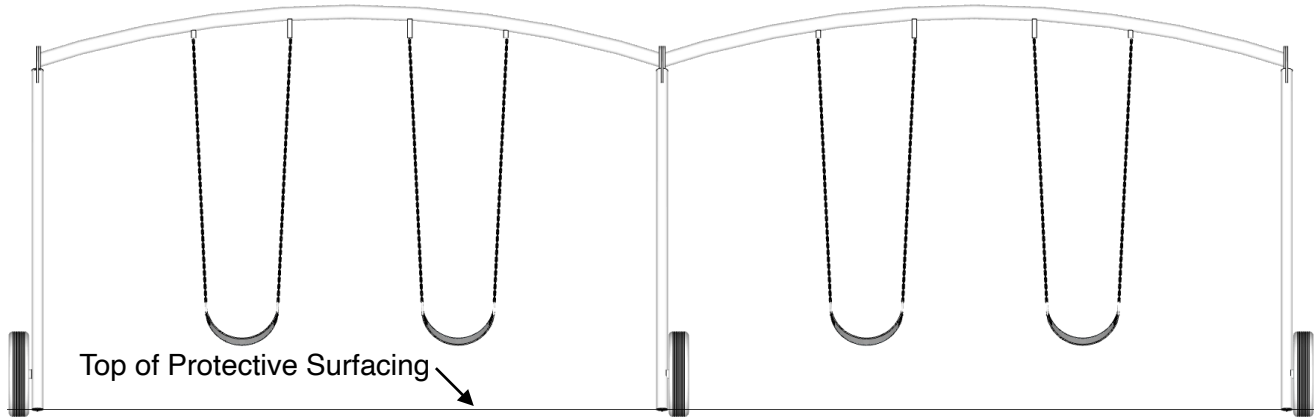
Step 3: Place swings post assemblies in the excavated footings. Using hardware kit 8-01, bolt the swing's top rail to the post assemblies, 6 places on each end. Ensure the swing post assemblies are plumb and level to each other. Temporarily brace. Pour concrete footings for the swing. The concrete should be flush with the ground level. Allow time for the concrete to completely cure before continuing.

Step 4: Remove temporary bracing.

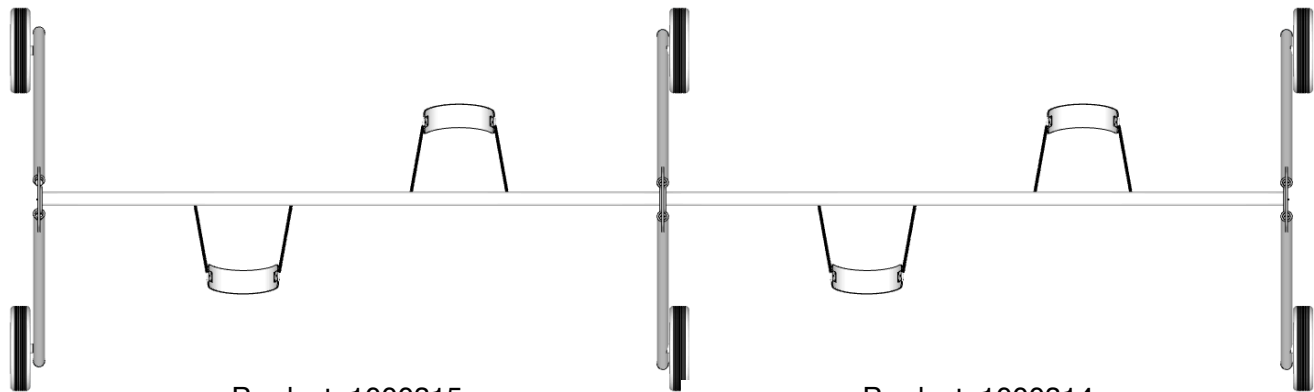
Step 5: Assemble belt and/or bucket seats, chains, and clamps, then install onto the top rail per manufacturer's instructions. Refer to the surfacing manufacturer for installation of an approved impact attenuating play surface around the swings, the minimum shown on the Irrigation Swing installation instructions.



Product: 1000314
Irrigation Swing



← 13' 0" → ← 13' 0" →



Product: 1000315
Add-A-Bay Irrigation Swing

Product: 1000314
Irrigation Swing

! WARNING

INSTALLATION OVER A HARD SURFACE SUCH AS CONCRETE, ASPHALT, OR PACKED EARTH MAY RESULT IN SERIOUS INJURY OR DEATH FROM FALLS.

THE REMOVAL OF HELMETS, HOODS, DRAWSTRINGS, AND ACCESSORIES AROUND THE NECK IS RECOMMENDED TO PREVENT ENTANGLEMENT AND STRANGULATION.

PLAY EQUIPMENT AND/OR SURFACING MAY BE HOT.

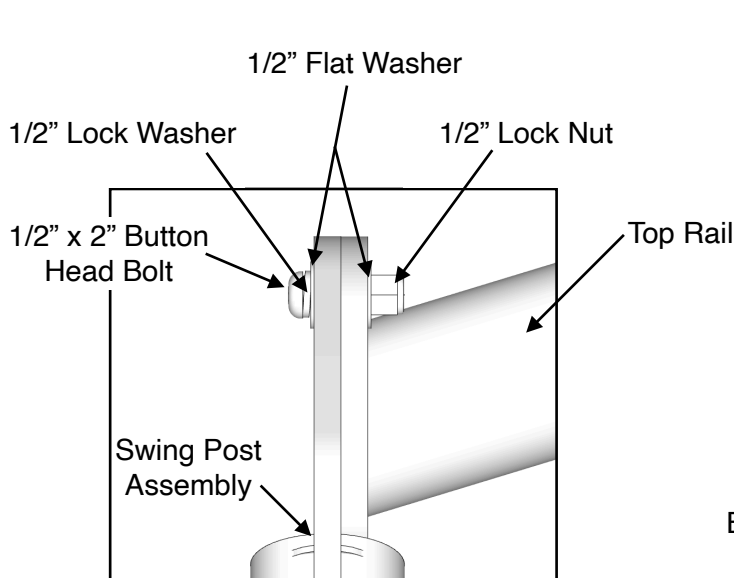
NOTES PRIOR TO CONSTRUCTION:

- Use appropriate equipment to lift and move the play equipment.
- Check local codes and requirements prior to digging or installing any equipment.

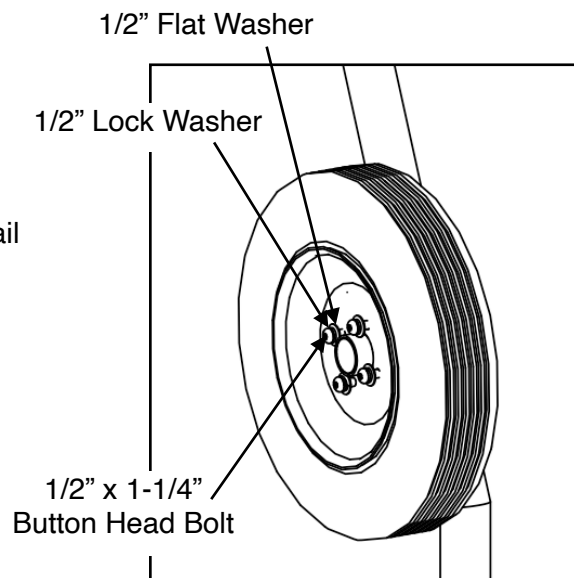
NOTE: Always wear eye protection appropriate to the task at hand.

Included Items on 1000314-Irrigation Swing:

Item	Description	Quantity
Swing Post Assembly	Play Equipment	2
Swing Top Rail Assembly	Play Equipment	1
Wheel Assembly	Play Equipment	4
Hardware Kit #HK135	1/2" x 2" Button Head Bolt, SS	12
Hardware Kit #HK135	1/2" Flat Washer, SS	24
Hardware Kit #HK135	1/2" Split Lock Washer, SS	12
Hardware Kit #HK135	1/2" Nylock Nut, SS	12
Hardware Kit #HK136	1/2" x 1-1/4" Button Head Bolt, SS	16
Hardware Kit #HK136	1/2" Flat Washer, SS	16
Hardware Kit #HK136	1/2" Split Lock Washer, SS	16



Hardware Kit #HK135



Hardware Kit #HK136

Included Items on 1000315-Add-A-Bay Irrigation Swing:

Item	Description	Quantity
Swing Post Assembly	Play Equipment	1
Swing Top Rail Assembly	Play Equipment	1
Wheel Assembly	Play Equipment	2
Hardware Kit #HK135	1/2" x 2" Button Head Bolt, SS	6
Hardware Kit #HK135	1/2" Flat Washer, SS	12
Hardware Kit #HK135	1/2" Split Lock Washer, SS	6
Hardware Kit #HK135	1/2" Nylock Nut, SS	6
Hardware Kit #HK136	1/2" x 1-1/4" Button Head Bolt, SS	8
Hardware Kit #HK136	1/2" Flat Washer, SS	8
Hardware Kit #HK136	1/2" Split Lock Washer, SS	8
Hardware Kit #HK137	1/2" x 2-1/2" Button Head Bolt, SS	6
Hardware Kit #HK137	1/2" Flat Washer, SS	12
Hardware Kit #HK137	1/2" Split Lock Washer, SS	6
Hardware Kit #HK137	1/2" Nylock Nut, SS	6

